

# EVH 12150 12 15

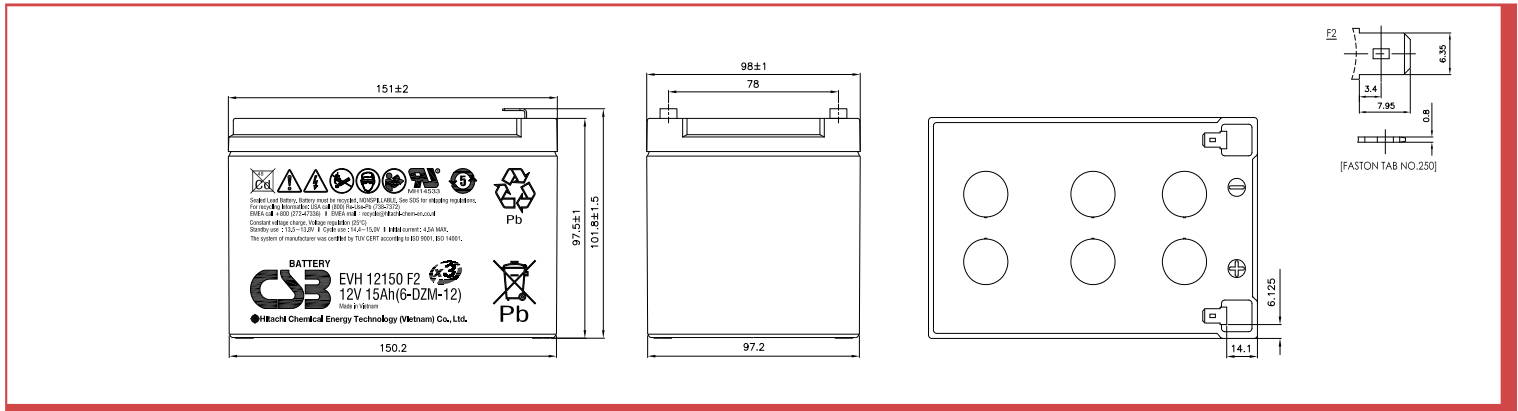
EVH 12150 - ( 450 100% 1800 30% )



12 (6 )				
15A 20-		U	-1.75 /	25°
4.60				
180A (5 )				
10.5				
	-15°	+50°		
	-15°	+40°		
	-15°	+40°		
-				
25°				
13.5 - 13.8		25°		
4.5 A ( )				
			$I_{max}$	
14.4 - 15.0		25°		
	25°	6-		*
F2-Faston Tab 250				
ABS				



151.0±2.0	98±1.0	97.5±1.0	101.8±1.5
-----------	--------	----------	-----------



## : A (25° )

$U_k/T$	30	45	60	90	2	3	4	5	6	8	10	20
1.60	20.0	14.4	11.2	7.85	6.18	4.33	3.35	2.74	2.17	1.79	1.43	0.79
1.67	19.9	14.1	11.0	7.79	6.11	4.25	3.31	2.73	2.16	1.78	1.42	0.78
1.70	19.8	13.9	10.9	7.73	6.03	4.23	3.30	2.72	2.15	1.77	1.41	0.77
1.75	19.5	13.8	10.8	7.66	6.00	4.17	3.27	2.71	2.14	1.76	1.39	0.76
1.80	19.0	13.8	10.7	7.50	5.83	4.08	3.19	2.64	2.10	1.74	1.38	0.75
1.85	18.2	13.3	10.4	7.38	5.72	3.94	3.09	2.56	2.03	1.68	1.33	0.72

## : / (25° )

$U_k/T$	30	45	60	90	2	3	4	5	6	8	10	20
1.60	221	165	129	91.4	71.0	49.6	38.9	31.9	25.3	21.0	17.1	8.98
1.67	220	163	128	90.8	70.5	49.2	38.6	31.7	25.2	20.9	17.0	8.96
1.70	218	162	127	89.9	70.0	49.0	38.4	31.5	25.1	20.8	16.9	8.92
1.75	215	159	125	88.7	69.4	48.8	38.1	31.1	24.9	20.7	16.8	8.82
1.80	211	157	123	87.3	68.6	47.9	37.5	30.7	24.6	20.5	16.7	8.74
1.85	206	155	121	85.3	66.6	46.7	36.3	29.6	23.8	19.9	16.4	8.52