

EVH 12390 12 39

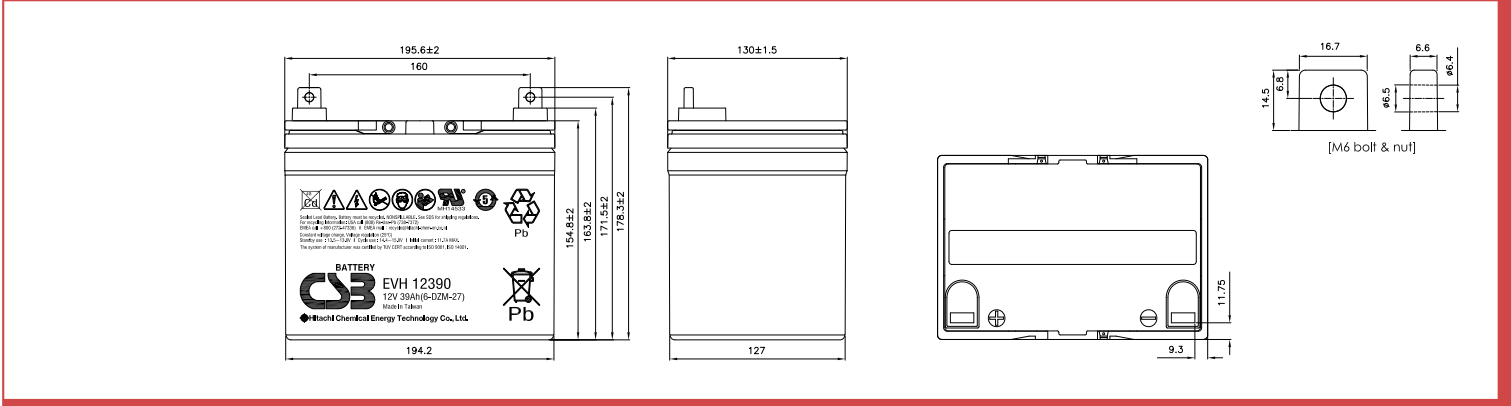
EVH 12390 - (400 100% 1800 30%)



12 (6)			
39 A 20-	U	- 1.75 /	25 °
11.50			
400A (5)			
8.9			
	:	-15° +50°	
	:	-15° +40°	
	:	-15° +40°	
-			
25°			
13.5 - 13.8		25°	
11.7 A ()			
			I _{max}
14.4 - 15.0		25°	
		25°	6- *
			6
ABS			



195.6±2.0	130.0±1.5	154.8±2.0	178.3±2.0
-----------	-----------	-----------	-----------



: A (25°)

U _K /T	30	45	60	90	2	3	4	5	6	8	10	20
1.60	39.6	28.2	23.3	17.8	14.4	10.4	8.25	6.93	5.58	4.68	3.89	2.13
1.67	38.5	27.7	22.9	17.5	14.2	10.3	8.19	6.87	5.51	4.60	3.81	2.06
1.70	37.4	27.0	22.4	17.2	14.0	10.2	8.13	6.79	5.43	4.53	3.73	2.01
1.75	36.4	26.6	22.0	16.8	13.7	10.1	8.04	6.71	5.36	4.46	3.67	1.96
1.80	35.4	26.0	21.6	16.6	13.5	9.93	7.94	6.62	5.29	4.40	3.60	1.91
1.85	34.3	25.5	21.1	16.2	13.3	9.78	7.80	6.52	5.20	4.33	3.54	1.87

: / (25°)

U _K /T	30	45	60	90	2	3	4	5	6	8	10	20
1.60	475	340	280	213	172	124	99.0	83.2	67.0	56.2	46.6	25.5
1.67	463	335	276	210	170	123	98.1	82.4	66.2	55.3	45.6	24.8
1.70	451	328	271	207	168	122	97.2	81.5	65.2	54.4	44.8	24.1
1.75	438	319	265	204	166	120	96.2	80.5	64.4	53.6	44.0	23.5
1.80	425	312	260	201	163	119	95.0	79.4	63.4	52.8	43.3	22.9
1.85	412	302	253	197	160	117	93.7	78.2	62.5	52.0	42.6	22.4